

FIG. 5C

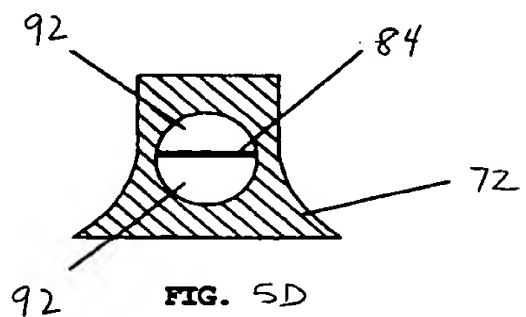
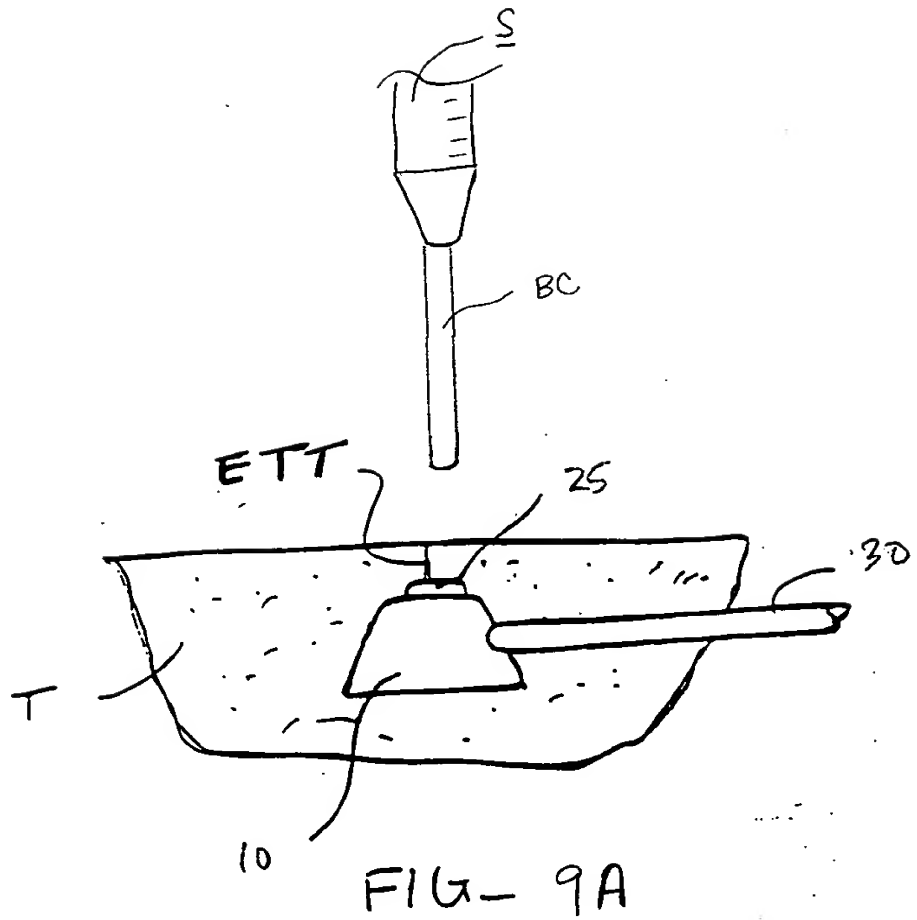


FIG. 5D

Approved
Cfr 12/10/02



Approved
CM 12/2/02